

# VALVES

KWT Flapvalve type: KRK-R-OH 100-500

## Application

KWT valves are very varied and are used in connection to surface, sewer and process water systems.

## Operation

The correct flapvalve can be easily calculated by using an advanced calculation program. Dynamic preconditions play a decisive role, in particular in relation to certain applications as well as static conditions. KWT advises and supplies the correct flapvalve for all applications, regardless of whether they are being used in tidal, pumped or gravitational outflow applications. All our products are carefully calculated regarding strength and are produced using only pure, high-quality materials.

A flapvalve consists mainly of a plate that is hinged on the top side, connected to a mounting frame. It therefore forms an on-seated seal on the front of the culvert/pipe. Water discharging from the pipe opens the flap, however when the head increases on the downstream side, the flap is pressed against its seal, preventing backflow. KWT flapvalves require only a small head in the pipe to open the flap, as HDPE floats in water- the flapvalves are fitted with a counterweight to balance the flap correctly.

The flapvalve are light weight, easy to install and very responsive and reliable. The valves are available in various forms, such as the vertically hung flat wall mounted type, as well as pipe mounted, flange mounted and angled wall mounted (mounted on a 15° backward angle to reduce the effect of waves and ensure a good seal).

On-seat pressure is standard 5 MwC; higher pressures on request. [Partment for more information or advice.](#)

## Benefits

Customised production

Easy to install

Short turnaround

  
www.kwtgroup.nl



Relatively light in weight because HDPE is used

Virtually maintenance free

## Specifications

Sizes: : Ø 100 mm t/m Ø 500 mm

Operation pressure : maximum 5 MwC

Valve cover angle : 15° standard, except for flat mounted wall models

**Higher pressures and larger dimensions on request**

**Various connection options such as: PVC/HDPE tube, flange, wall, under 15° angle, concrete/SPIROsol.**

## Materials

Valve plate : HDPE

Back plate : HDPE

Shaft and ballast weight : SS 316

Seal : EPDM- seal

**Other materials on request**

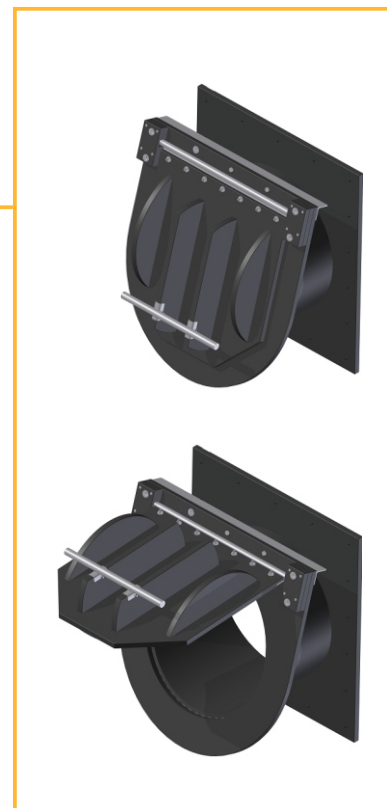
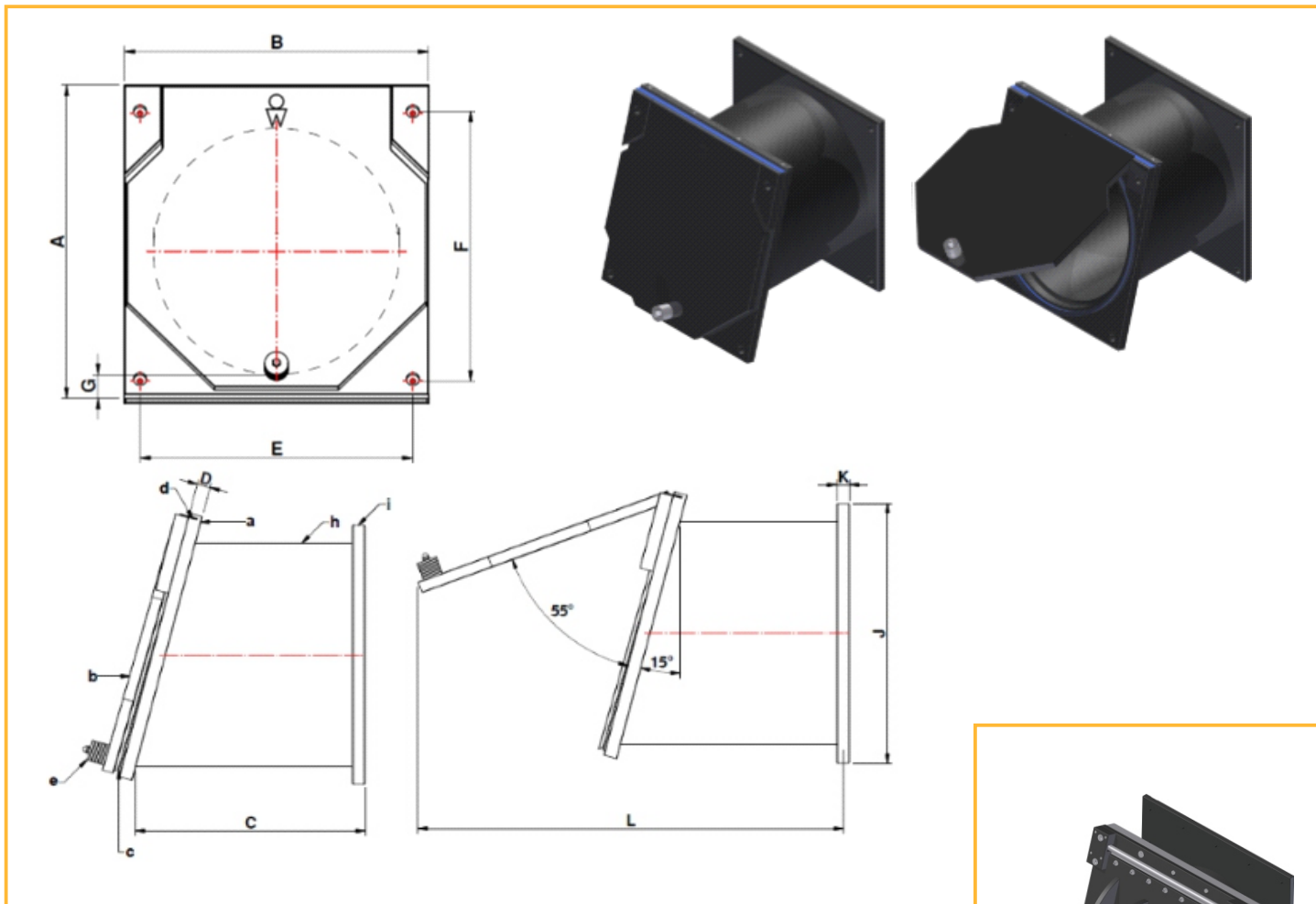



©KWT Biddinghuizen - Member of BERGSCHENHOEK GROEP

KWT reserves the right to modify the design without prior notification

# VALVES

KWT Flapvalve type: KRK-R-OH 100-500



DN	Ø	C	J	K	L		DATA
DN100	97	160	190	20	360	3	a - Back plate
DN125	117	160	205	20	370	3	b - Flap
DN150	150	160	240	20	395	4	c - Seal
DN200	187	265	280	30	525	6	d - Hinge
DN250	235	265	330	30	560	8	e - Ballast weight
DN300	296	265	395	30	600	10	f - Reinforcement rib
DN400	375	315	480	30	710	16	g - Mounting plate/flange
DN500	475	315	585	30	780	22	h - (Flanged) tube
							j - Stroke limiter
							k - Release pressure valve
							m - Conical tube

**Diameters  
above DN 600  
on request**



ISO 9001

**BUREAU VERITAS**  
Certification

