

VALVES

KWT Flapvalve type: KRK-R-O- 100-500

Application

KWT valves are very varied and are used in connection to surface, sewer and process water systems.

Operation

The correct flapvalve can be easily calculated by using an advanced calculation program. Dynamic preconditions play a decisive role, in particular in relation to certain applications as well as static conditions. KWT advises and supplies the correct flapvalve for all applications, regardless of whether they are being used in tidal, pumped or gravitational outflow applications. All our products are carefully calculated regarding strength and are produced using only pure, high-quality materials.

A flapvalve consists mainly of a plate that is hinged on the top side, connected to a mounting frame. It therefore forms an on-seated seal on the front of the culvert/pipe. Water discharging from the pipe opens the flap, however when the head increases on the downstream side, the flap is pressed against its seal, preventing backflow. KWT flapvalves require only a small head in the pipe to open the flap, as HDPE floats in water- the flapvalves are fitted with a counterweight to balance the flap correctly.

The flapvalve are light weight, easy to install and very responsive and reliable. The valves are available in various forms, such as the vertically hung flat wall mounted type, as well as pipe mounted, flange mounted and angled wall mounted (mounted on a 15° backward angle to reduce the effect of waves and ensure a good seal).

On-seat pressure is standard 5 MwC; higher pressures on request. Department for more information or advice.

Benefits

Customised production

Easy to install

Short turnaround



Type: KRK-R-O

Relatively light in weight because HDPE is used

Virtually maintenance free

Specifications

Sizes: : Ø 100 mm t/m Ø 500 mm

Operation pressure : maximum 5 MwC

Valve cover angle : 15° standard, except for flat mounted wall models

Higher pressures and larger dimensions on request

Various connection options such as: PVC/HDPE tube, flange, wall, under 15° angle, concrete/SPIROsol.

Materials

Valve plate : HDPE

Back plate : HDPE

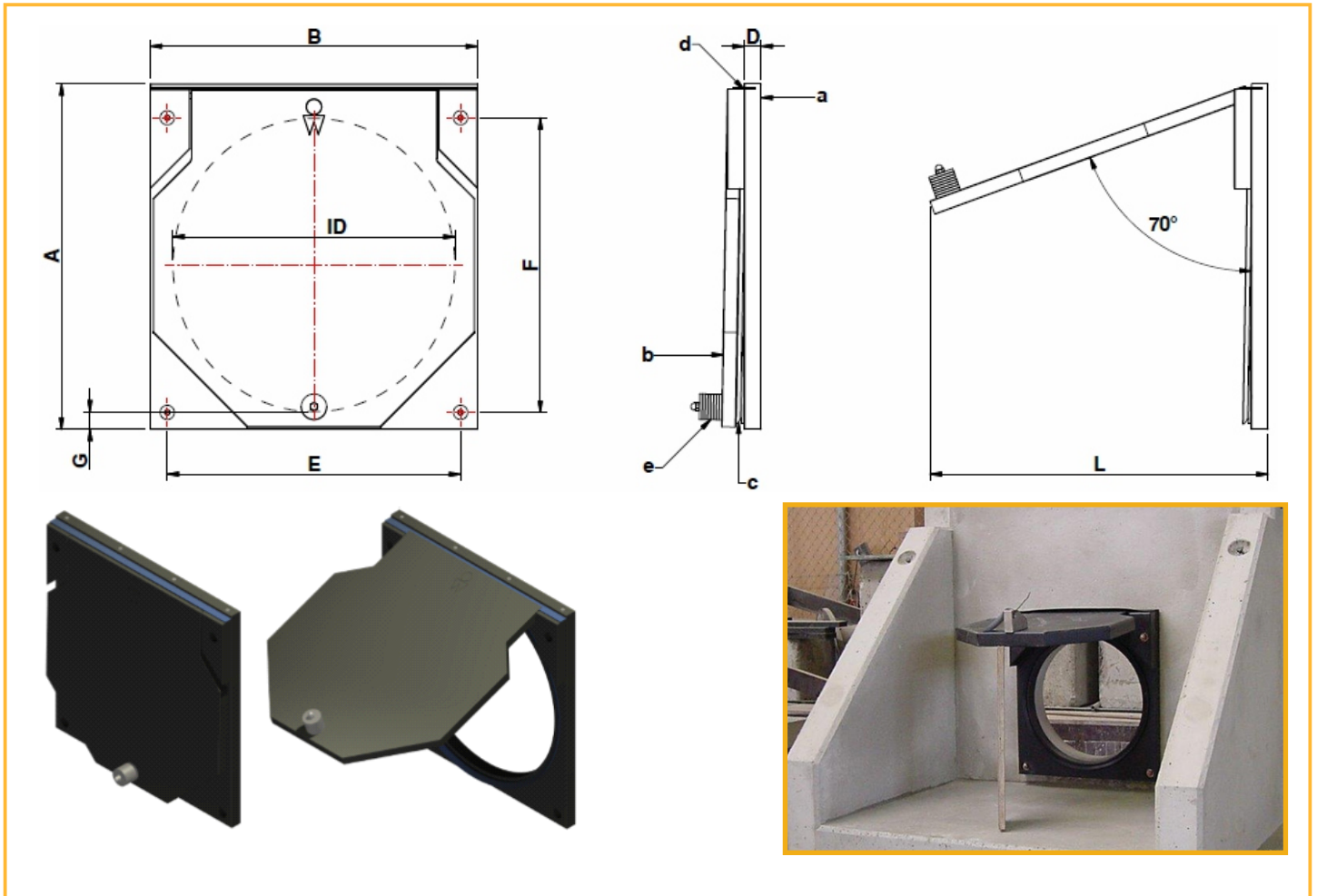
Shaft and ballast weight : SS 316


Seal : EPDM- seal

Other materials on request

VALVES

KWT Flapvalve type: KRK-R-O- 100-500



DN	ID Ø	A	B	D	E	F	G	L	 Kg	DATA
DN100	110	220	190	25	150	150	38	230	2	a - Backplate b - Flap c - Seal d - Hinge e - Ballast weight
DN125	125	235	205	25	155	155	38	245	2	
DN150	160	270	240	25	180	180	37	275	3	
DN200	200	310	280	25	230	230	36	310	4	
DN250	250	360	330	25	280	280	36	360	5	
DN300	315	425	395	25	330	330	34	420	6	
DN400	400	510	480	30	420	420	33	505	9	
DN500	500	610	580	30	520	520	31	600	13	

Also available in a square or rectangular shape, HDPE